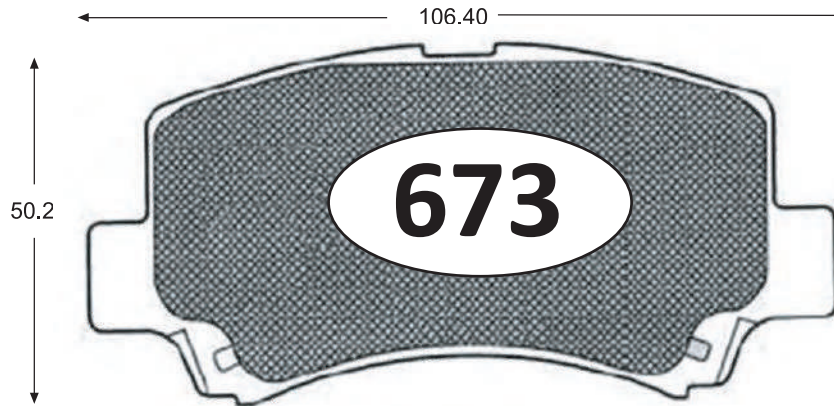
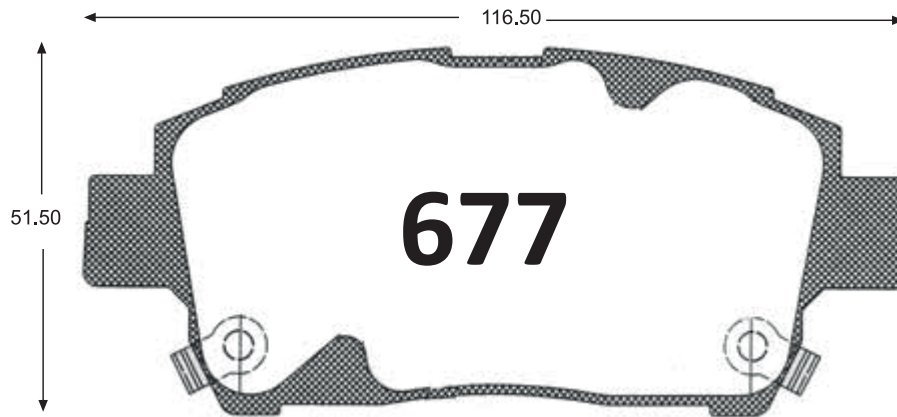


**Delanteras**

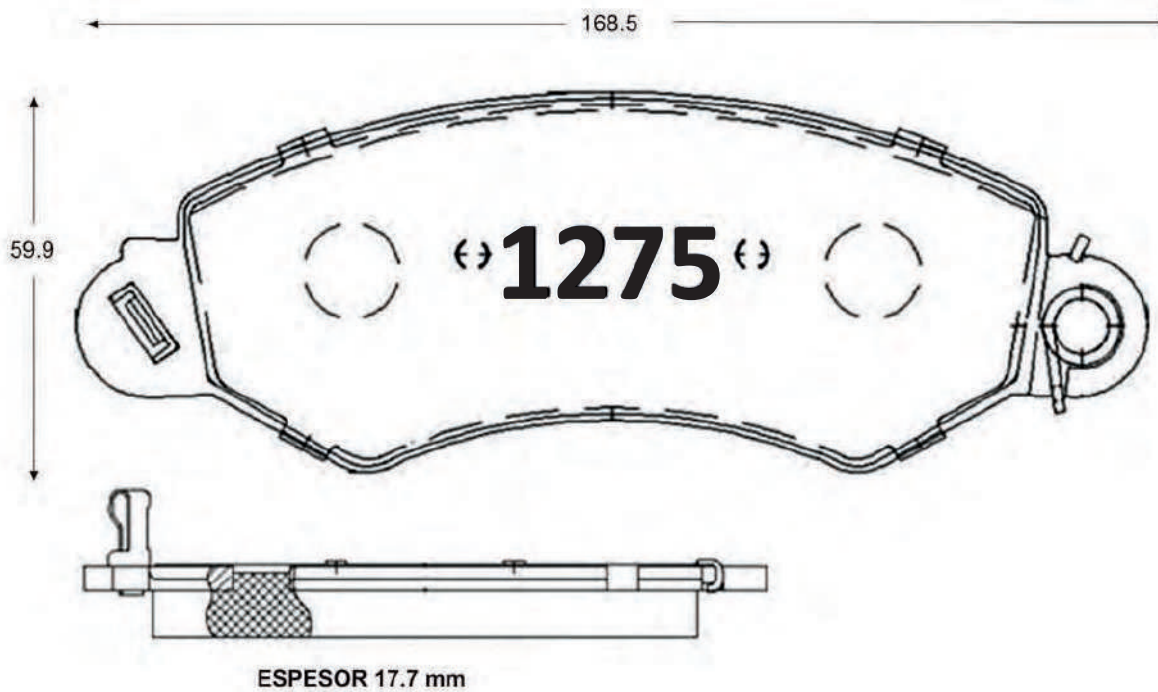


PICK UP TRUCK SC 1.3	Del. 10 →
PICK UP TRUCK DC XL 1.3	Del. 10 →
PICK UP TRUCK DC 1.3	Del. 10 →
PICK UP TRUCK SC XL 1.3	Del. 10 →
CARGO VAN 1.3	Del. 10 →

CARGO REFRI TRUCK 1.3	Del. 10 →
CARGO BOX 1.3	Del. 10 →
CARGO VAN HQ 1.3	Del. 10 →
PASAJEROS VAN 1.3	Del. 10 →
PASAJEROS VAN 1.3 AC	Del. 10 →

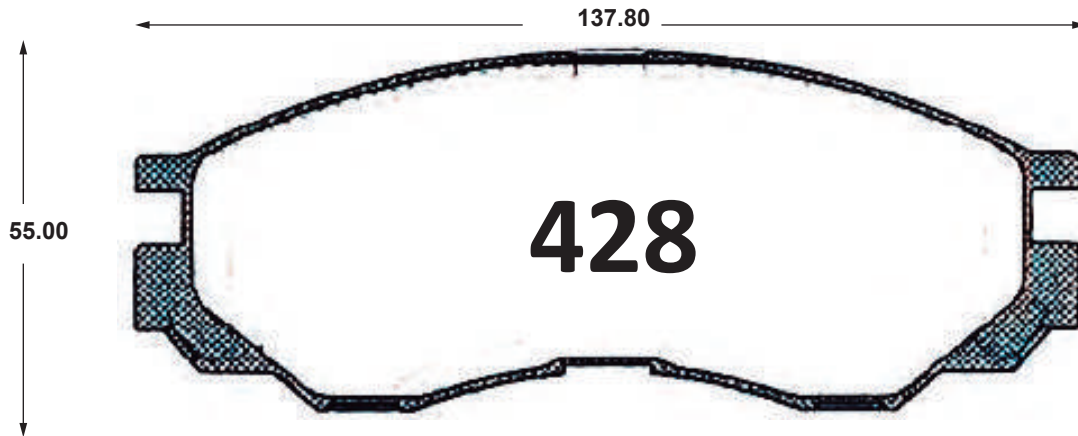


DMF JOYEAR CROSS 1.6 Del. 02 → 14

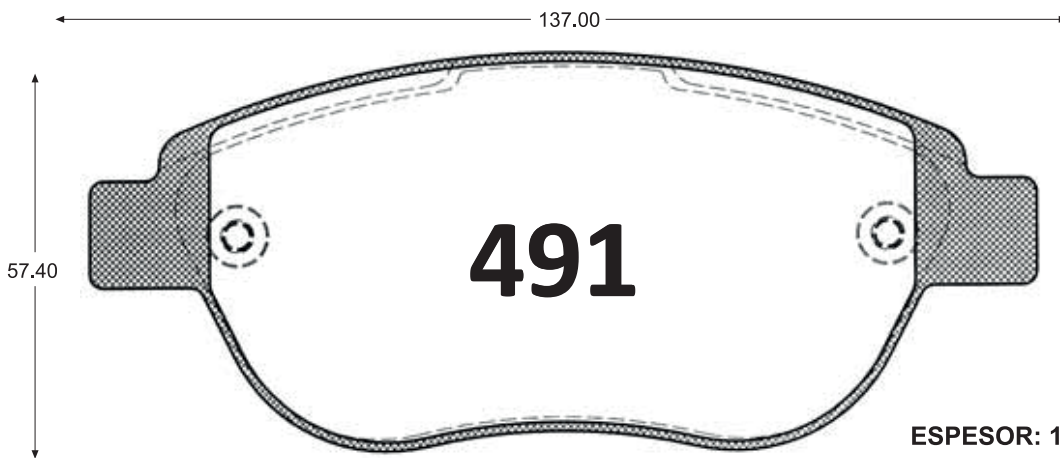


DONGFENG E - TRAVEL Del. 13 →

**Delanteras**

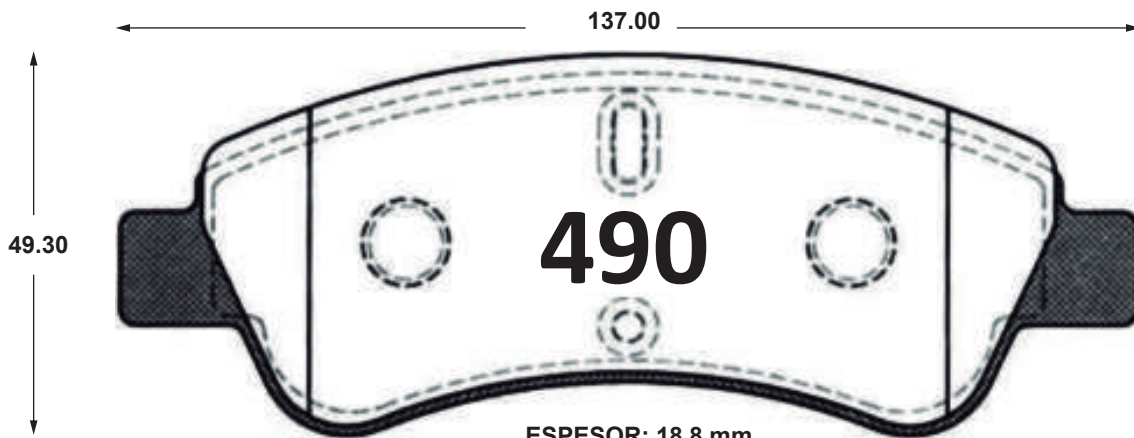


DFM M5 CARGO	Del. 15 →
--------------	-----------



ESPESOR: 19 mm Sistema GIRLING

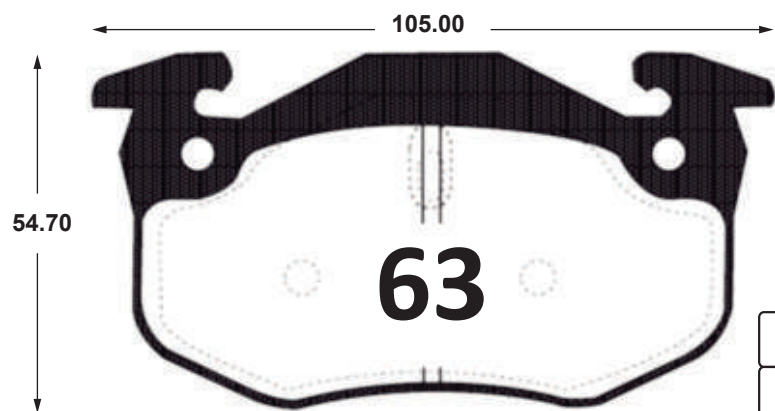
JOYEAR X3 1.6	Del. 17 →
---------------	-----------



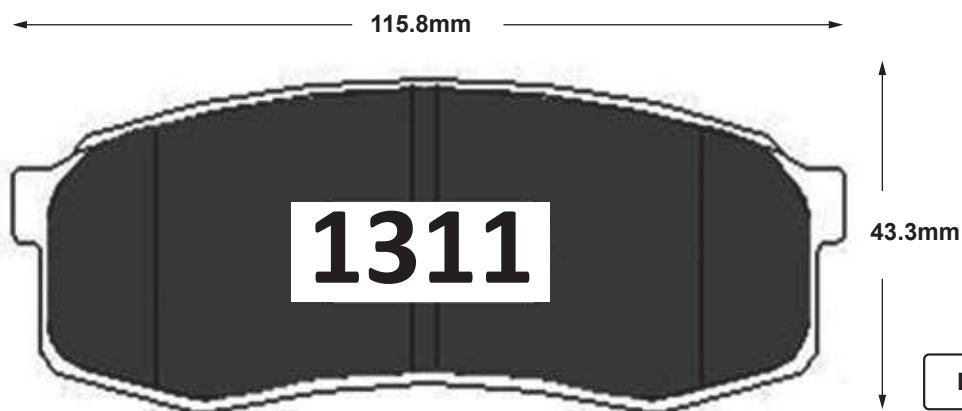
ESPESOR: 18.8 mm

DFM S-30 1.6	Del. 16 →
DFM H-30 1.6	Del. 16 →
DFM A-30 1.6	Del. 17 →

**Traseras**

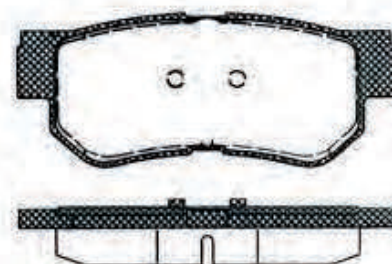
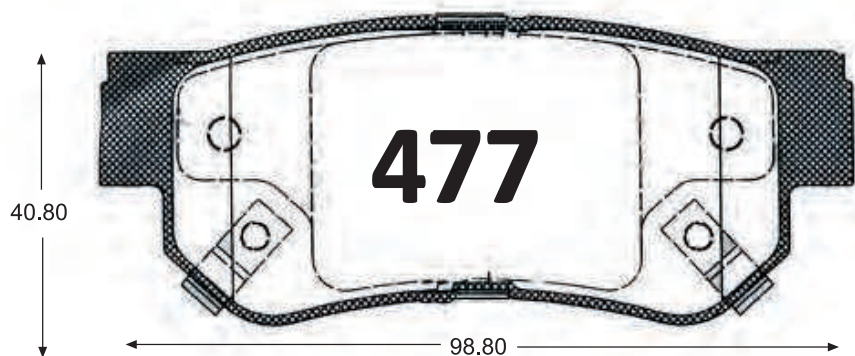


DFM S-30 1.6	Tras. 16 →
DFM H-30 1.6	Tras. 16 →

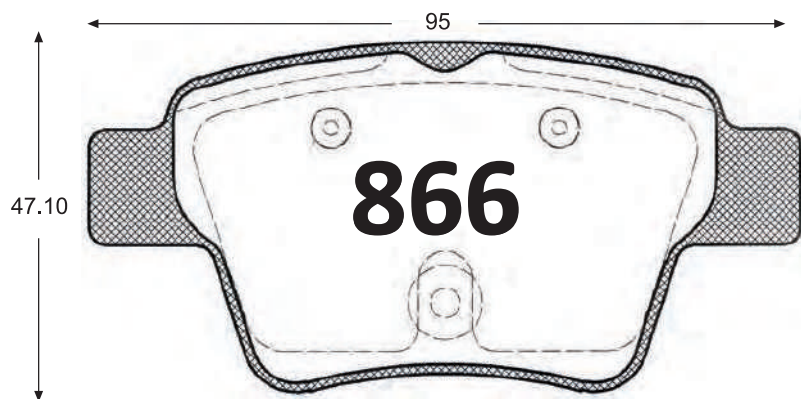


**ESPESOR: 16.6mm**

DONGFENG E TRAVEL	Tras. 13 →
-------------------	------------



JOYEAR X3 1.6	Tras. 17 →
---------------	------------



DFM A-30 1.6	Tras. 17 →
--------------	------------