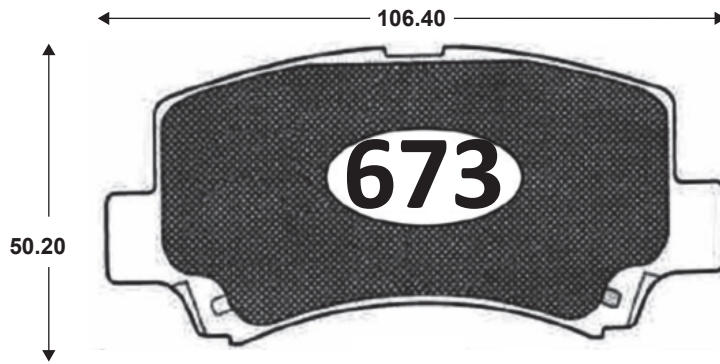
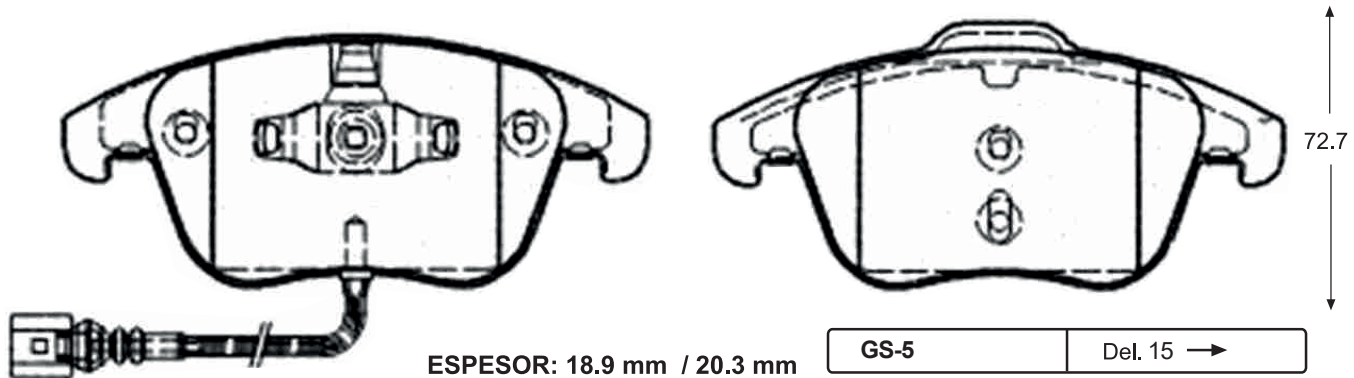
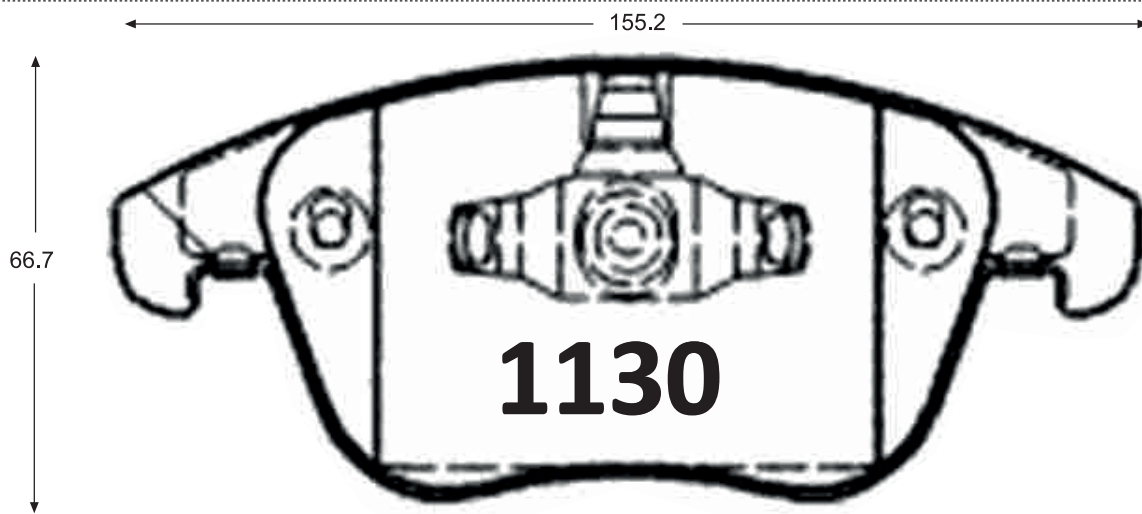


Delanteras

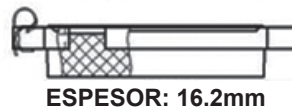
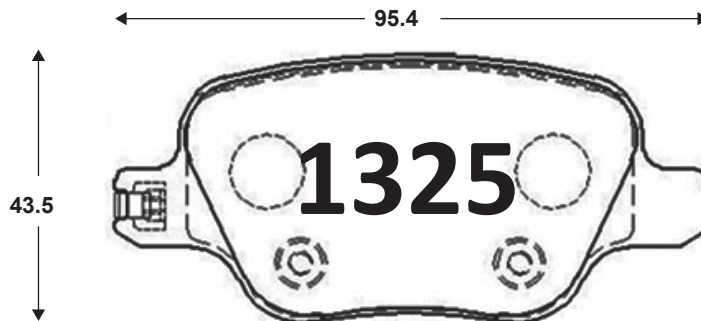


| | |
|------------------|-----------|
| GAC GONOW | Del. 15 → |
| CARGOBOX-CITYVAN | |



| | |
|------|-----------|
| GS-5 | Del. 15 → |
|------|-----------|

Traseras



| | |
|---------|-----------|
| GAC GA5 | Tras.14 → |
|---------|-----------|