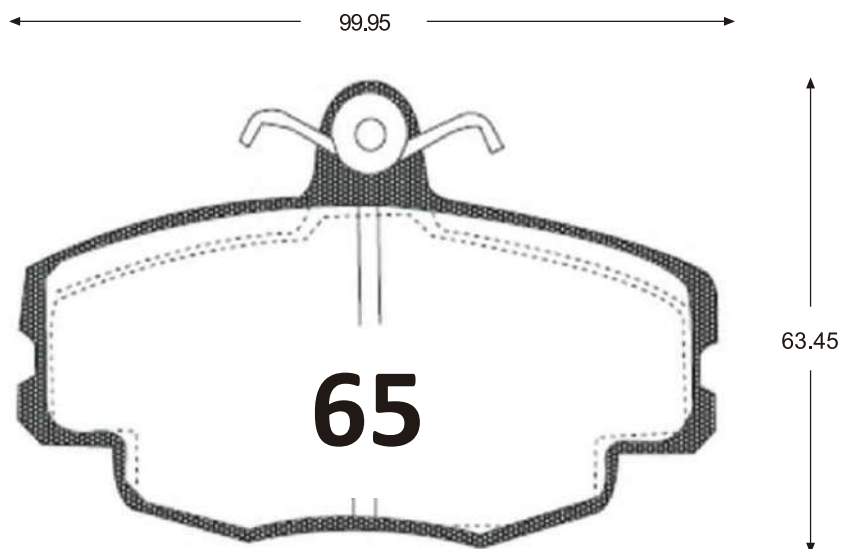


Delanteras



SMA SERIES C C52 1.5 / C61 1.6 / C81 1.8	Del. 08
SMA SERIES R R51 1.5 / R81 1.8	Del. 08